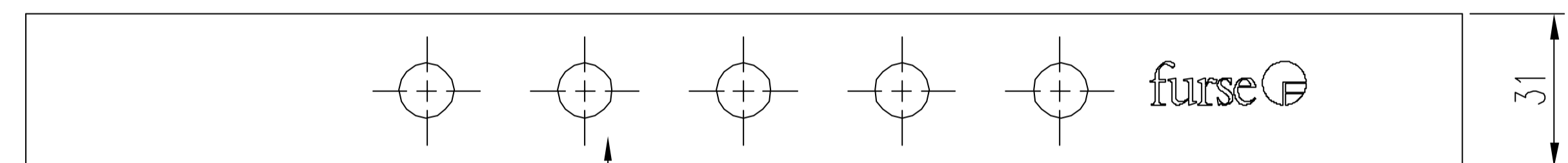
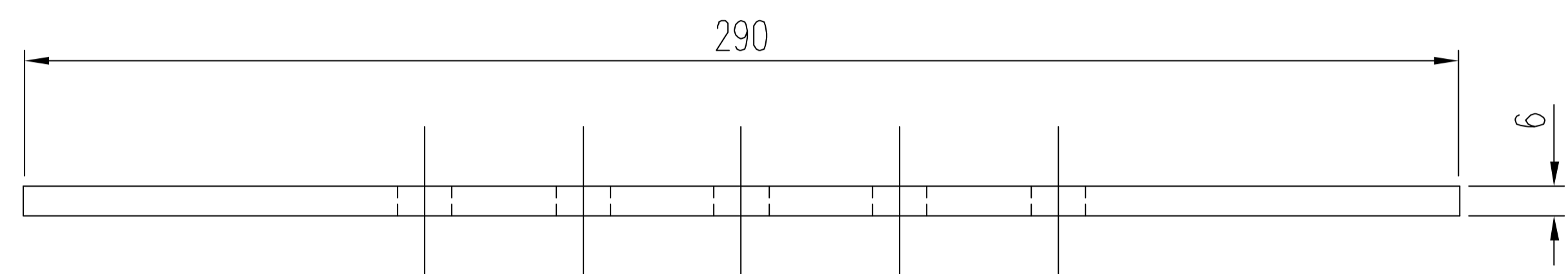
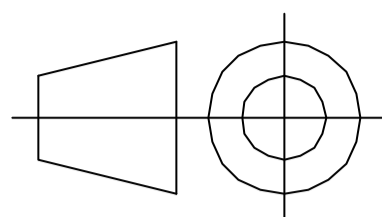


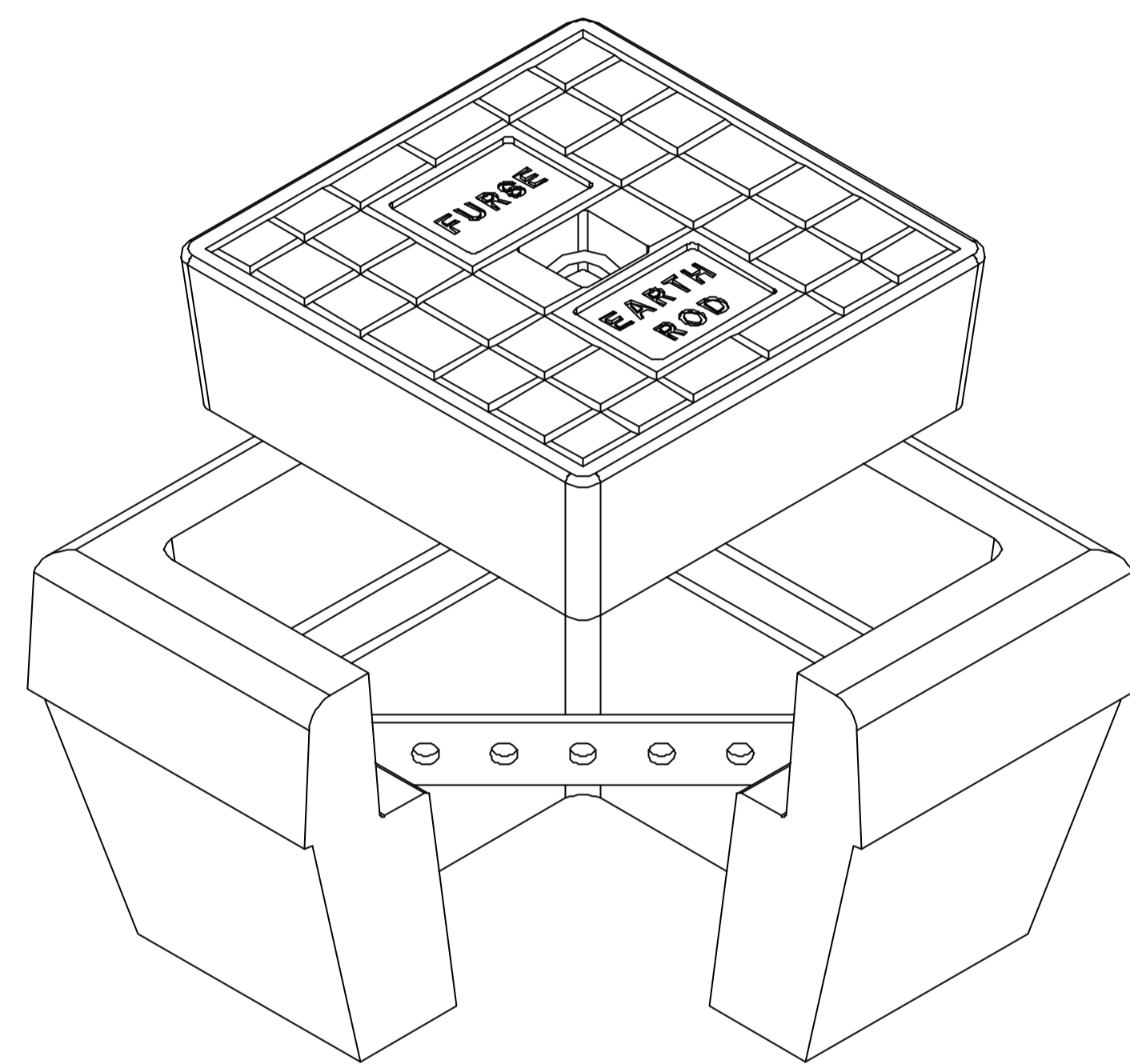
©  
COPY RIGHT  
RESERVED

CUSTOMER  
DRAWING

FIRST ANGLE PROJECTION



5 x Ø11 mm Holes



5	24.11.99	NEW DRAWING (AUTOCAD R14)	J.B.	PW
ISSUE	DATE	REVISION	DRN	APP
SIZE		GENERAL NOTES: 1. All dimensions in mm unless stated otherwise. W.J.FURSE RESERVE THE RIGHT TO ALTER THE DESIGN OF ANY PRODUCT WITHOUT NOTICE.		
A3				

**furse**

**W.J. Furse & Co. Ltd.** Tel: 0115 986 3471.  
Wilford Road. Fax: 0115 986 0538.  
Nottingham.  
NG2 1EB.

**Thomas&Betts**

MATERIAL	HC HD COPPER TO BS2874 - C101
FINISH	SELFCOLOUR

TITLE	' 5 ' HOLE EARTHBAR
CAD REF	\cad\elp\customer\fixtures\
DRG.No.	PT006-C

DATE	24.11.99	DRN	J.B.
SCALE	NTS	CHKD	PW
SHEET	1 OF 1	APP	PW
DEPT	E&LP.	REV	5