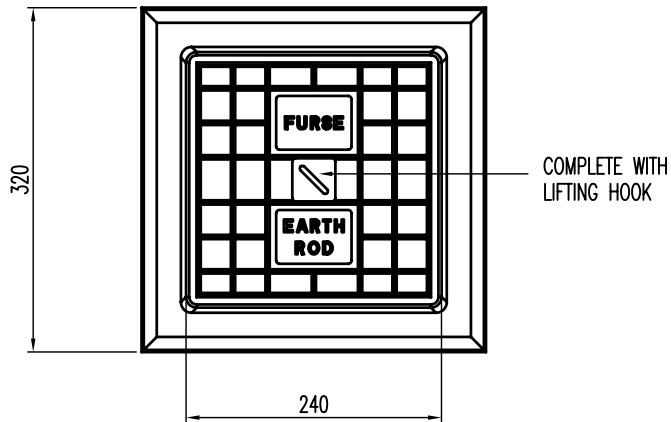
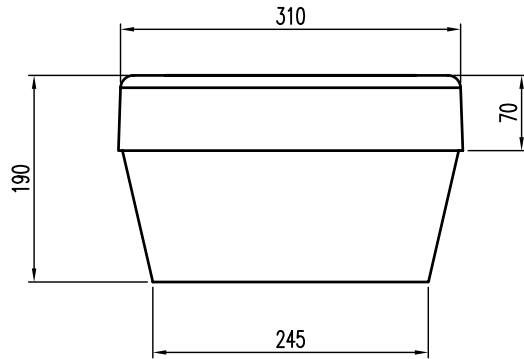


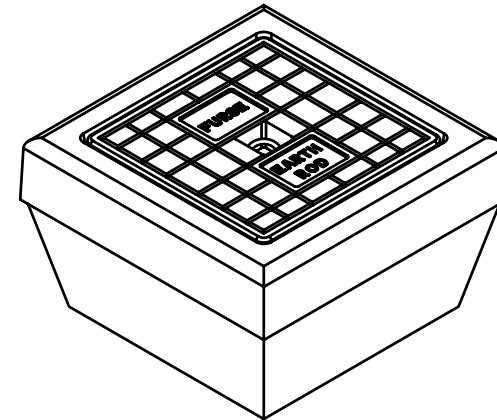
©
COPY RIGHT
RESERVED

CUSTOMER
DRAWING



HIGH LOAD-BEARING CAPACITY

METICLOUS DESIGN AND EXTENSIVE TESTING HAS RESULTED IN THE SAFE WORKING LOAD OF 3500 KGS.



ISSUE	DATE	REVISION	C'NOTE	DRN	APP
1	26.01.99	NEW DRAWING (AUTOCAD R14)		J.B.	JLB

GENERAL NOTES:
1. All dimensions in mm unless stated otherwise.
FURSE RESERVE THE RIGHT TO ALTER THE DESIGN OF ANY PRODUCT WITHOUT NOTICE.

furse

Wilford Road.
Nottingham.
NG2 1EB
Great Britain

Tel: 0115 964 3700
Fax: 0115 986 0538.

Thomas & Betts

MATERIAL:	VIBRATED CONCRETE
FINISH:	SELFCOLOUR
GENERAL TOLERANCES	DIMENSIONS OF 40 OR GREATER \pm 2% DIMENSIONS OF LESS THAN 40 \pm 0.5

TITLE:	' FURSE ' NAMED CONCRETE EARTH PIT
CAD REF:	\cad\elp\customer\fixtures\p
DRG.No:	PT005-C

DATE:	26.01.99	DRN:	J.B.
SCALE:	NTS	CHKD:	JLB
SHEET:	1 OF 1	APP:	JLB
PROJ:THIRD		REV:	1