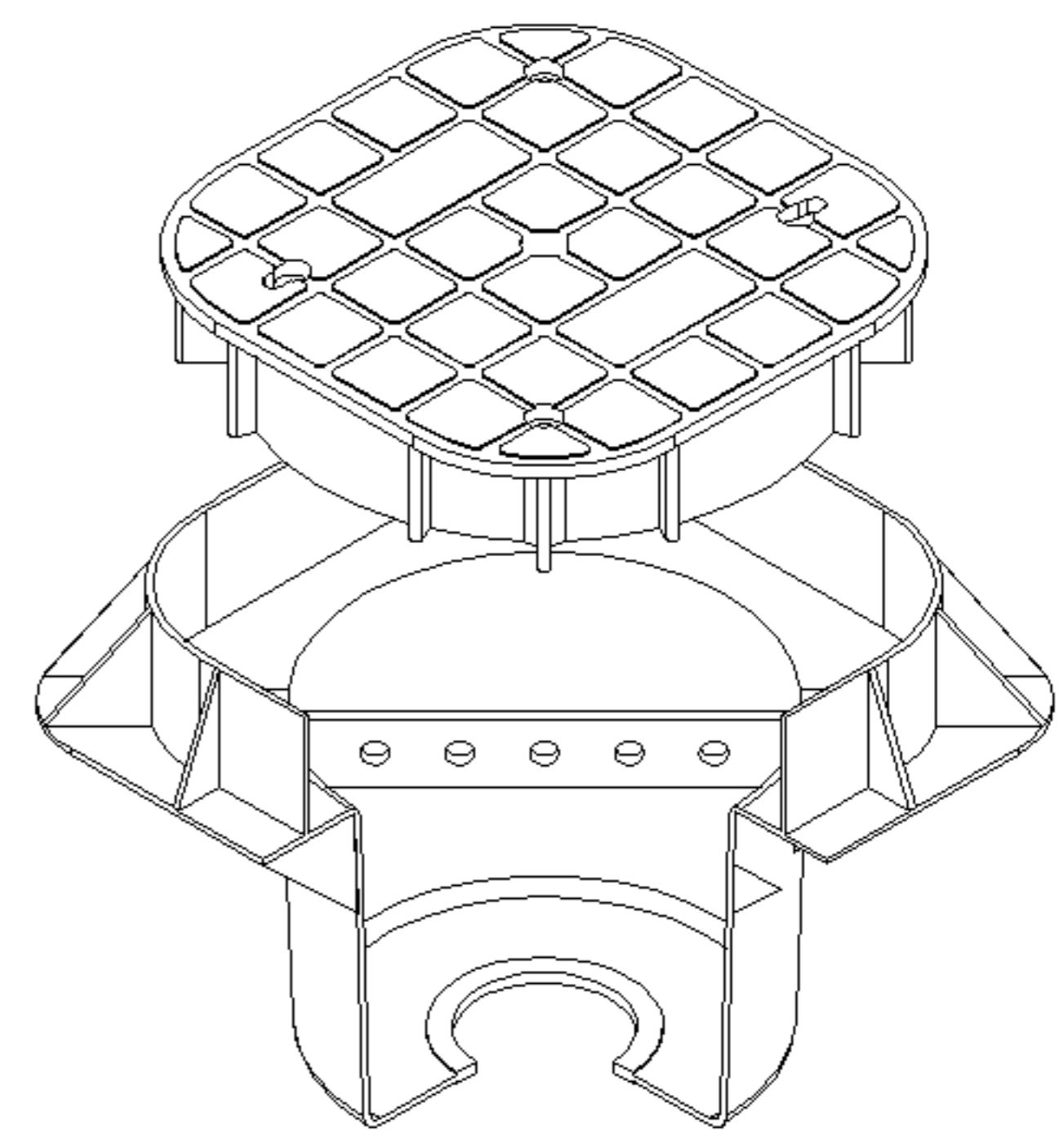
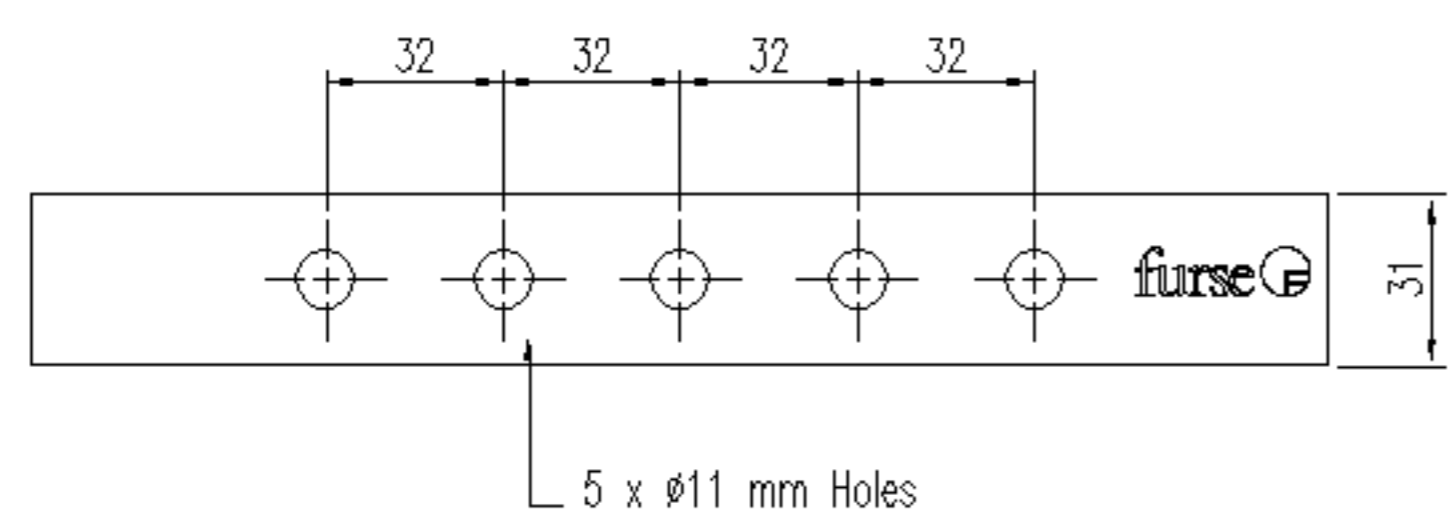
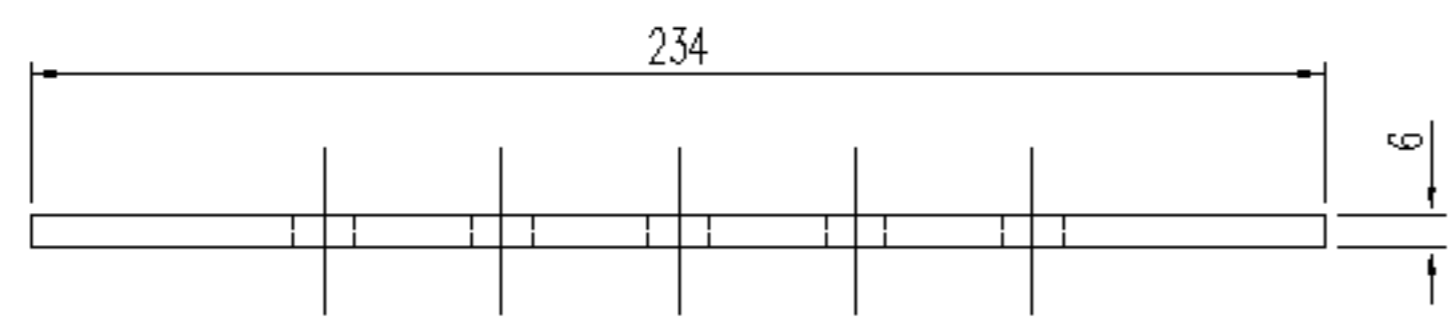
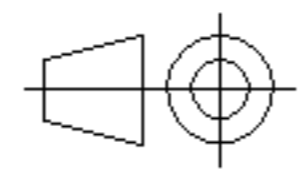



© COPY RIGHT RESERVED

CUSTOMER DRAWING

FIRST ANGLE PROJECTION



3	24.11.99	NEW DRAWING (AUTOCAD)		J.B.	PW
ISSUE	DATE	REVISION	C'NOTE	DRN	APP
SIZE		GENERAL NOTES: 1. All dimensions in mm unless stated otherwise. W.J.FURSE RESERVE THE RIGHT TO ALTER THE DESIGN OF ANY PRODUCT WITHOUT NOTICE.			
A3					

furse 

W.J. Furse & Co. Ltd. Tel: 0115 986 3471.
Wilford Road. Nottingham. Fax: 0115 986 0538.
NG2 1EB.

Thomas & Betts

MATERIAL	HC HD COPPER TO BS2874 - C101
FINISH	SELFCOLOUR

TITLE	' 5 ' HOLE EARTHBAR
CAD REF	\cad\elp\customer\fixtures\
DRG.No.	PT004-C

DATE	24.11.99	DRN	J.B.
SCALE	NTS	CHKD	PW
SHEET	1 OF 1	APP	PW
DEPT	E&LP.	REV	3