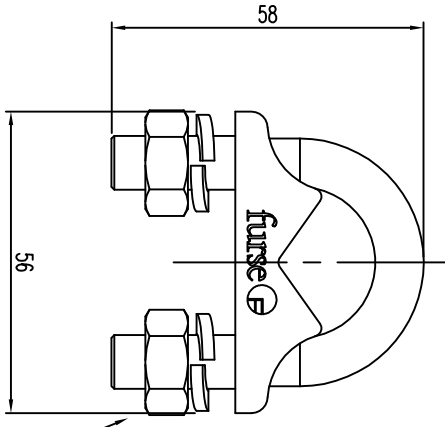
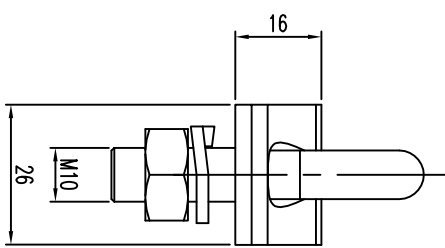


COPY RIGHT RESERVED

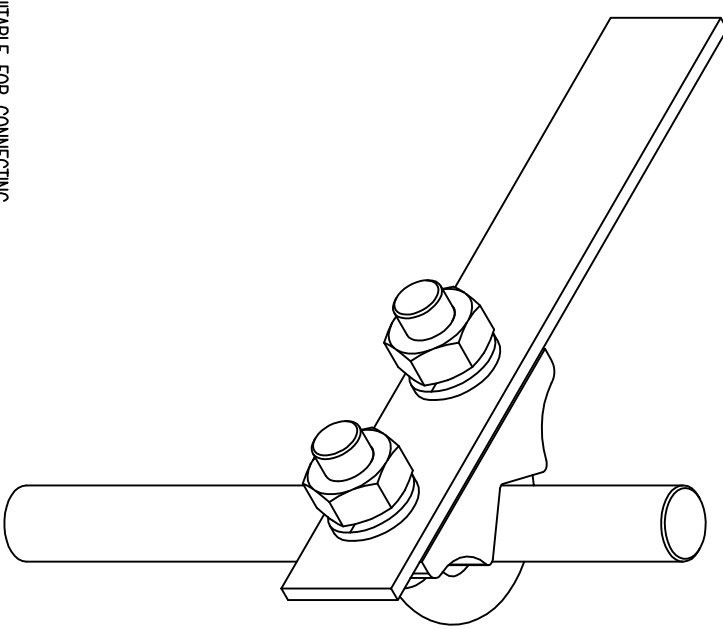
CUSTOMER DRAWING



2 OFF M10 FIXINGS
- PHOSPHOR BRONZE



SUITABLE FOR CONNECTING
25mm WIDE TAPE TO
Ø 1" EARTH ROD



ISSUE	DATE	REVISION	C/NOTE	DRN	APP
7	06.04.00	DRAWING UPDATED (AUTOCAD R14)		J.B.	PW



GENERAL NOTES:
1. All dimensions in mm unless stated otherwise.
FURSE RESERVE THE RIGHT TO ALTER THE DESIGN OF ANY PRODUCT WITHOUT NOTICE.



Wilford Road,
Nottingham,
NG2 1EB
Great Britain

Tel: 0115 964 3700
Fax: 0115 986 0538.



MATERIAL: GUNMETAL AND COPPER
FINISH: SELFCOLOUR

GENERAL TOLERANCES
DIMENSIONS OF 40 OR GREATER + 2%
DIMENSIONS OF LESS THAN 40 ± 0.5

TITLE: RANGE TAKING 'E' CLAMP
SUITABLE FOR 1" ROD

CAD REF: \cad\elp\customer\fixtures\c
DRG.No: CR315-C

DATE: 06.04.00
SCALE: 1:1
SHEET: 1 OF 1

DRN: J.B.
CHKD: PW
APP: PW
REV: 7

THIS DRAWING IS THE PROPERTY OF THOMAS & BETTS, AND MAY NOT BE USED FOR ANY PURPOSE OTHER THAN FOR WHICH IT IS SUPPLIED.

SHEET REF QAD05/A3 REV 3.